



Product data sheet

# Venetian blind gear series 434F6.. – The crank gear for demanding customers.

## Introduction

Venetian blinds have become extremely popular on the international market for sun protection. GEIGER has been involved in this field right from the start. In order to meet the increasing demand in this area, GEIGER has developed a new gear series 434F6..

## Customer Benefits

### 1. High degree of operating convenience

#### Which factors characterize a good gear for Venetian blinds?

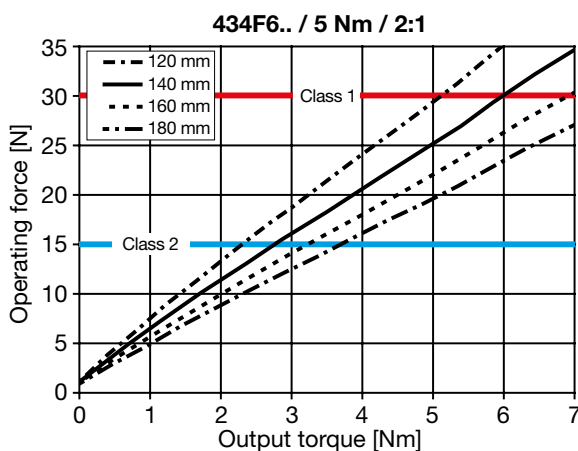
The user can operate the Venetian blind – regardless of its size – with **little effort** and **few crank rotations**. A smooth and fast operation can be guaranteed at all times. GEIGER offers with the new series **434F6..** an exceptionally smooth running gear. This series sets new performance standards.

► **The gear 434F6.. runs extremely smooth.**

Check it out: operate the gear 434F6.. „at idle speed“ and compare it with the gear you used previously. The difference is easy to notice.

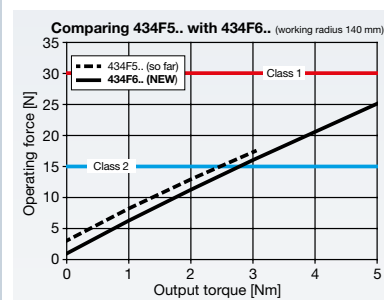
► **Significant reduction of the operating force**

The gear 434F6.. is much easier to operate than the conventional gears used up to now. The crank operation will be easier for your customers even when operating large-size installations.

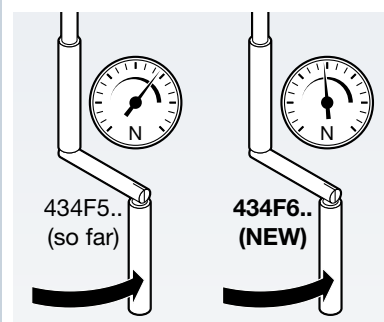


## Contents

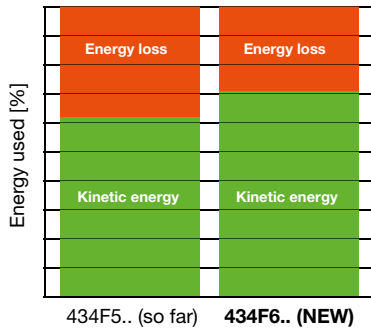
- Introduction ..... 1
- Customer Benefits ..... 1
- Design and Features ..... 3
- Dimensions, technical data and availability ..... 3



The **new Venetian blind gear 434F6..** reduces significantly the operating force.



The crank operation requires less effort.



Much higher efficiency due to optimized components and advanced materials.

### Drive and Output profiles

Drive
6 mm square
8 mm square
6 mm hexagonal
7 mm hexagonal
Output
7 mm square
12 mm square
6 mm hexagonal
7 mm hexagonal
11 mm hexagonal
Grooved tube Ø 14mm

All available drive / output profiles can be combined together.

► **The efficiency of the gear series 434F6.. is considerably improved.**

Compared to our previous series 434F5.. the efficiency has increased by about 15% due to new technical concepts and the use of new materials.

► **Minimal return run of the gear.**

After the crank operation is done, the lamella package only goes minimally downwards:

- a. no matter the size of the Venetian blind
- b. no matter the position reached by the Venetian blind

► **The outer contour of the gear is left unchanged.**

This ensures that our customers have no switching costs.

**Conclusion: seen from the outside the gear geometry remains unaltered. However the inner workings of the gear have been completely redesigned. The GEIGER 434F6.. is the leader of the comfort class Venetian blind gears.**

## 2. High strength and durability

The **GEIGER series 434F6..** offers following advantages:

► **Output load 5 Nm**

Both the gear teeth and the brakes are designed for high durability and performance. Please refer to our Manufacturer's Declaration on the basis of 10,000 cycles according to the DIN EN 14203 standard.

► **Reducing stock levels**

The gear **434F6..** covers all applications up to 5 Nm. The use of a single gear **434F6..** will help you to keep your costs down.

► **Resistance to wind loads**

An innovative braking system ensures that

- a. when exposed to extremely high wind load
- b. or to continuous moderate wind

the Venetian blind is held reliably in the desired position.

**CONCLUSION: The technical design of the new 434F6.. ensures optimum durability and covers a broad application range. This gear contributes significantly to reduce customer complaints and to lower your stock levels.**

## 3. Wide product range

During renovation and replacement parts business the technicians have to face a great variety of drive shafts and head rail profiles.

GEIGER offers for all these components – built-in a few decades ago – the suitable drive and output profiles. Fixation systems for all Venetian blind head rails are also available.

The GEIGER complete product range: you only need to deal with just one supplier in the area of drive technology.

## 4. Made by GEIGER

GEIGER relies on Germany as production location: the GEIGER series **434F6..**, like all GEIGER products, is developed and produced in Germany. This situation allows an optimal combination of R & D, manufacturing processes and quality management. Our customers will benefit from the high quality and reliability of our products.



## Design and Features

### 1. Through hole system

#### ► Insertable input profile

Thus, the crank can always be operated in the same direction with only one gear design for both left- and right fitting. Your storage costs are thus reduced.

#### ► Continuous output profile

This profile allows a centred mounting with all gears of the series 434F6..

### 2. Brake System

A new brake system guarantees a safe and noise-free braking. The braking power is significantly higher than comparable products on the market.

### 3. Extreme resistance of the output shaft

This output shaft is made of high strength plastic resisting to heat and frost for a smooth and reliable operation with the drive shaft.

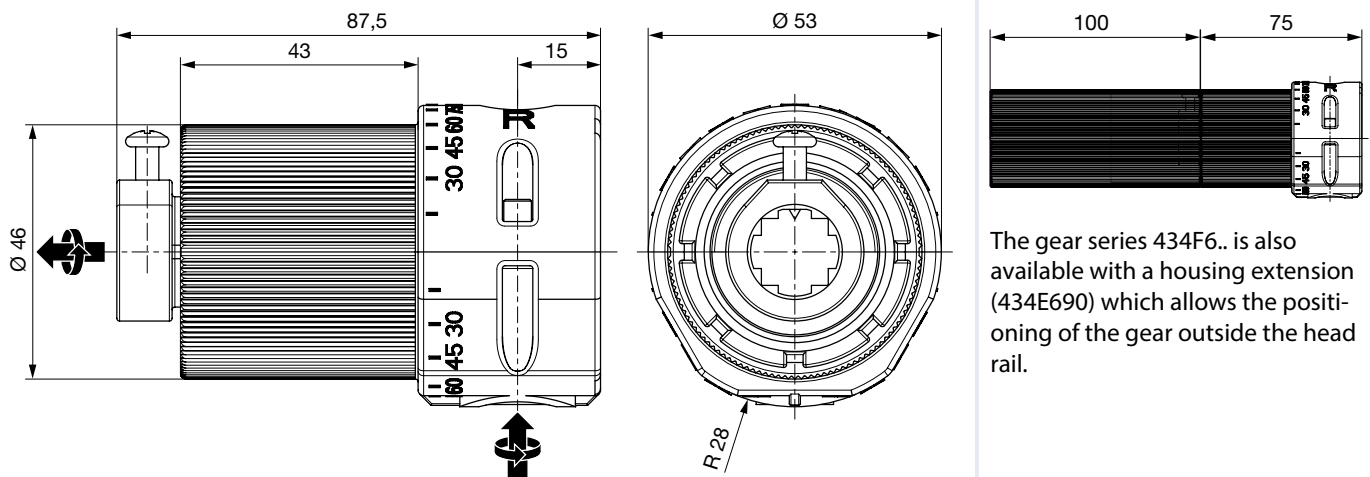
### 4. GEIGER bevel gears

GEIGER is the specialist for bevel gear. We have been producing for decades this type of gears for most different applications in the sun protection area.

Our experience in this area ensures reliable and smooth-running gears. Gearing and braking systems are designed and manufactured in our own company.

## Dimensions, technical data and availability

### 1. Dimensions



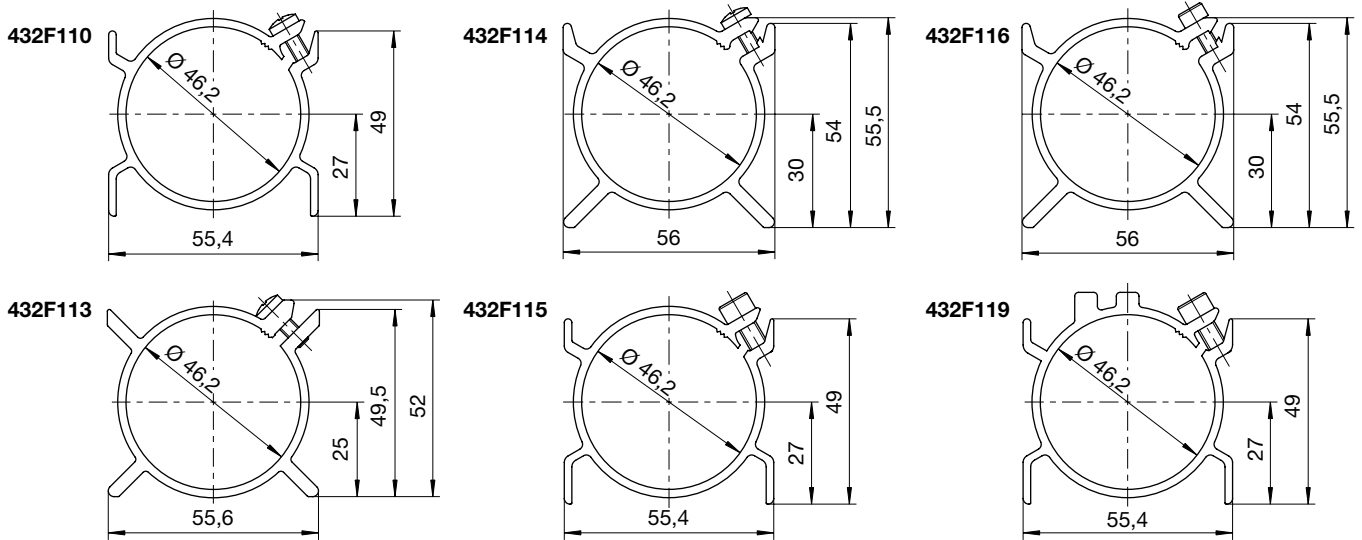
### 2. Technical Data

Comparison of the previous series 434F5.. with the new series 434F6..:

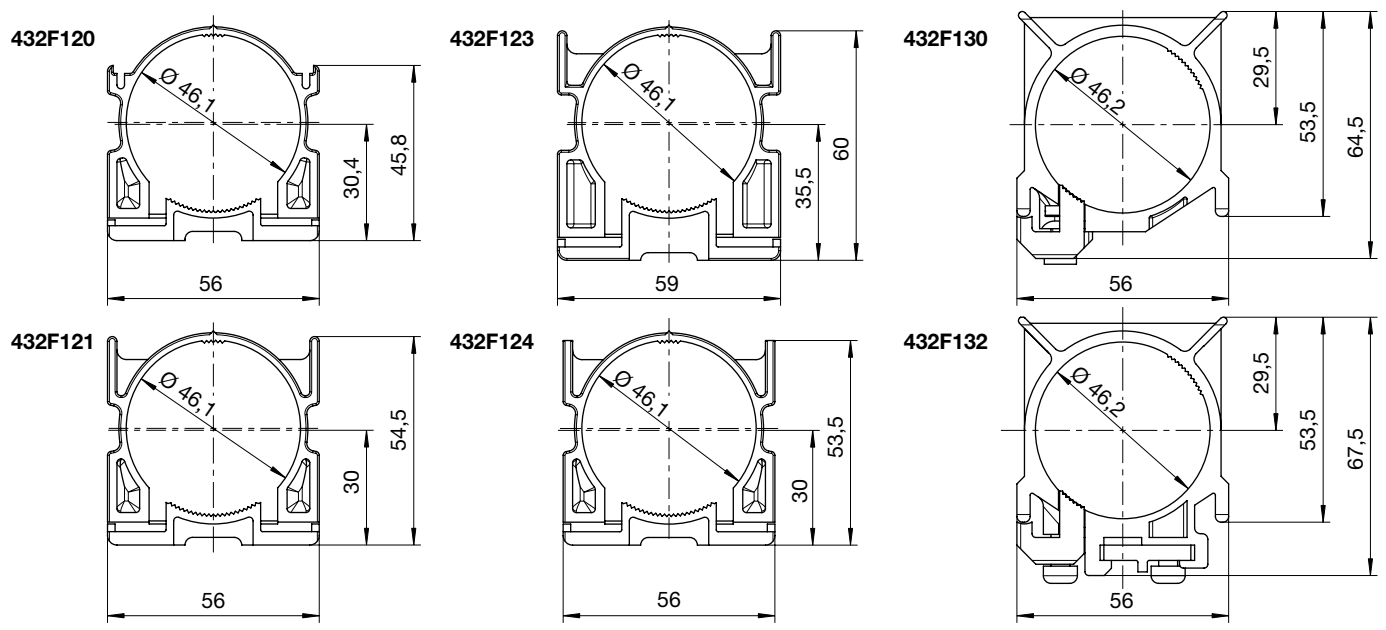
	434F5.. (so far)	434F6.. (NEW)
<b>Outer contour</b>	Identical	Identical, no changes
<b>Max output torque</b>	3 Nm	5 Nm
<b>Ratio</b>	2:1	2:1
<b>Efficiency</b>	0,62	0,71

The gear series 434F6.. is also available with a housing extension (434E690) which allows the positioning of the gear outside the head rail.

### 3. Aluminium gear holder



### 4. High-strength plastic gear holder



### 5. Availability

The gear 434F6.. and all gear holders are now available in series.

### 6. Notes

GEIGER offers its customers a special service: with the GEIGER measuring equipment we identify the torque characteristics of your Venetian blind device directly in your company. You will get an evaluation on the operating force needed to operate your installation. A lower operating force is known to be a competitive advantage which meets the actual requirements of your customers.