

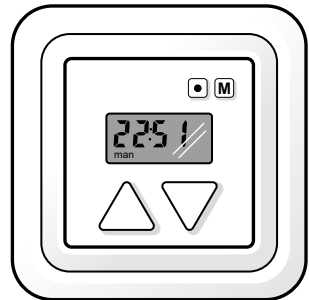
Time switch

GU0021

DE Bedienungsanleitung

EN **Operating Instructions**

FR Manuel d'utilisation



EN

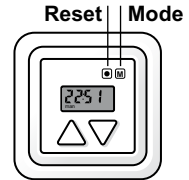
1. General information

Dear customer,

By purchasing a GEIGER time switch GU0021 you have decided on a top quality product from GEIGER. Thank you very much for your decision and the confidence placed in us.

GEIGER GU0021 is an electronic time switch to control a 230 V blind or rolling shutter drive.

Please keep this information for future reference.



2. Assembly instructions

The device dimensions 50 x 50 mm allow the assembly of the device in most standard switches currently available on the market.

In this case both **GEIGER GU0021** frames must be replaced by a DIN intermediate frame or cover frame selected in one of the switch programs.

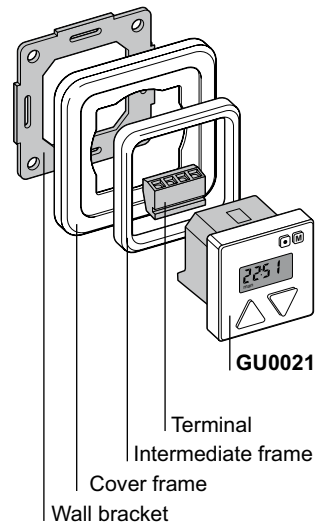
The following table shows a selection of suitable DIN intermediate frames.

Since each manufacturer has his own color palette, minor colour differences between device and intermediate frame /cover frame cannot be ruled out.



Advice for the electrician

Please use for the installation of the time switch a deep switch box and make sure that the cable does not prevent the device from locking into place.



3. Compatible switch programs (ultra white color similar to RAL 9010)

Manufacturer	Switch range	DIN Intermediate frame	Color	Manufacturer Ref. Nr.
Busch-Jaeger	Carat/Solo/Future	Central disc	studio white	1746/10-84
	Impuls	Central disc	alpine white	1746/10-74
	Refelex SI	Central disc	alpine white	1746-214-101
	alpha nea/exclusive	Central disc	alabaster/ studio white	1746/10-24G
Berker	Modul 2	Spacer	polar white	1109 09
	S.1/B.1/B.3/B.7 Glas	Adapter ring	polar white	1109 19 89
	K.1/K.5	Adapter ring	polar white	1108 71 09
	Arsys	Spacer	polar white	1108 01 69
GIRA	Standard 55	Distance plate	pure white	0282 03
	E 2/E22/Event/Esprit	Distance plate	pure white	0282 03
	Surface switch	Distance plate	pure white	N0282 112
	S-Color	Distance plate	pure white	0282 40
Merten	Artec	Spacer	polar white	5160 99
	M1/Atelier	Spacer	polar white	517119
	M-SMART/M-STAR	Spacer	polar white	518119
	M-PLAN/M-ARC	Spacer	polar white	518119
JUNG	CD 500	Intermediate frame	alpine white	CD 590 ZA WW
	A 500/AS 500/A plus	Intermediate frame	alpine white	A 590 Z WW
	LS-design	Intermediate frame	alpine white	LS 961 Z WW
Hager	Kallysto.pur/.stil/.art	Intermediate frame	brilliant white	WYA550
presto vedder	Regina	Cover	ultra white	7030 R UW
	Alessa	Cover	ultra white	2030 R UW
	Fiorena	Cover	ultra white	3030 R UW
PEHA	Standard	Central plate	pure white	219711
	Dialog	Central plate	pure white	819511
	Aura	Central plate	pure white	117511
ELSO	RIVA/Scala/Fashion	Combination frame	pure white	203084
	Novia	Combination frame	pure white	283164
Popp	Forever	Intermediate frame	pure white	729811
	Pallas	Intermediate frame	pure white	729842

EN

4. Operation of the time switch

Key DOWN < 1 sec.	Jog mode or STOP the motor when running
Key DOWN > 1 sec.	UP operating command for 2 minutes
Key UP < 1 sec.	Jog mode or STOP the motor when running
Key UP > 1 sec.	UP operating command for 2 minutes
Key Mode > 2 sec.	Activation of the programming mode
Key Mode < 2 sec.	Change the operating mode (manual mode; auto- matic, automatic random)
Key Reset	Reset to factory settings

5. Time switch programming

Activate key mode > 2 sec.	Time display flashes. After reset, factory settings flashes (=> 12:00 h).
Set time with keys UP or DOWN	Once the UP or DOWN key is pressed the display stops flashing. Holding the UP or DOWN key pressed down initiates fast running of the time display up to 30 minute steps.
Actuate briefly mode key to confirm time	Current UP time shows on display. Arrow UP flashes. After reset: factory setting UP time (=> 07:00 h).
Actuate keys UP or DOWN to set time UP	Holding the UP or DOWN key pressed down initiates fast running of the time display up to 30 minute steps. Arrow UP flashes.
Actuate briefly mode key to confirm the UP time	Current DOWN time shows on display. Arrow DOWN flashes. After reset: factory setting DOWN time (=> 21:00 h).
Actuate keys UP or DOWN to set time DOWN	Holding the UP or DOWN key pressed down initiates fast running of the time display up to 30 minute steps. Arrow DOWN flashes
Actuate briefly mode key to confirm the DOWN time	Programming mode is exited. Time and selected mode are displayed.

6. Factory settings

Key RESET	Reset to factory setting – Enables factory setting of operating parameters to be easily restored if needed.
	Day program: UP 07:00 am, DOWN 09:00 pm
	Time: 12:00 h

7. Possible functional modes

Press the **mode** key to access one after the other the possible function modes. There are 3 modes to choose from:

man	Manual
auto	Automatic ¹⁾ (day program)
⏸	Automatic + random ²⁾

¹⁾ In automatic mode, the shutter is automatically raised or lowered according to the programmed switching times.

²⁾ When the random generator is activated, the programmed UP and DOWN travel times are delayed backwards within a range of 1 minute to 31 minutes.

8. Jog mode

Briefly press the direction key (up to 1 sec.) to enable the inclination of the blind slats. The automatic mode is not exited.

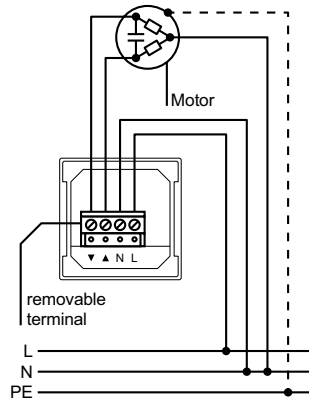
9. Information for the electrician



Caution: All work on the 230V power system must be carried out by qualified personnel only!



Parallel connection of motors: please refer to the technical data in the operating manual supplied with the motor.



10. Declaration of conformity

We herewith explicitly declare that this product complies with the essential requirements and relevant directives. It is authorised for use in all EC member states and in Switzerland without any need of prior registration. The Declaration of Conformity concerning this product is available on our website: www.geiger-antriebstechnik.de.

EN

11. Recycling

Recycling of packaging materials

In the interest of environmental protection, please contact your local government's recycling or solid waste management department to learn more about the services it provides.

Waste disposal of electric and electronic equipment

Electronic equipment or batteries cannot be discarded along with the normal household waste. Keep for more information on the recycling and disposal methods envisaged by the local regulations in your area.

12. Technical Data

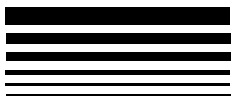
GEIGER time switch (GU0021)	
Voltage	230 V~/50 Hz
Switching voltage	250 V AC
Switching capacity	3 A (cos phi=1)
Temperature range	0°C to +45°C
Travel time	2 min.
Changeover delay time	min. 0,5 sec.
Accuracy	< 5 sec. / day
Power reserve	≥ 16 hours
Terminal	max. 2,5 mm ²
Degree of protection	IP 40
Protection class	II

Subject to technical changes



EN

For technical questions, please call our service team at: +49 (0) 7142 938-300.
They will be happy to assist you.



GEIGER
Antriebstechnik

Gerhard Geiger GmbH & Co. KG
Schleifmühle 6
D-74321 Bietigheim-Bissingen
Telephone: +49 (0) 7142 938-0
Telefax: +49 (0) 7142 938-230
www.geiger-antriebstechnik.de
info@geiger-antriebstechnik.de