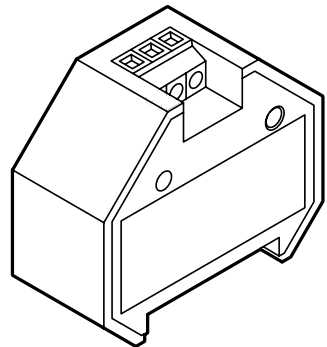


Remote radio receiver GRE002

EN

Original assembly and
operating instructions



EN

Index

1. General.....	2
2. Warranty.....	2
3. Safety instructions specific to radio receivers	2
4. Connection	3
5. Operating modes	3
6. Operation	3
7. Setting intermediate position	4
8. Move to intermediate position	5
9. Reset to factory settings	5
10. Technical data	6
11. Declaration of Conformity	6
12. Disposal notice	6

EN

1. General

Dear customer,

With the purchase of a GEIGER radio receiver you have decided on a quality product from GEIGER.

Thank you for your decision and the confidence you have placed in us.

2. Warranty

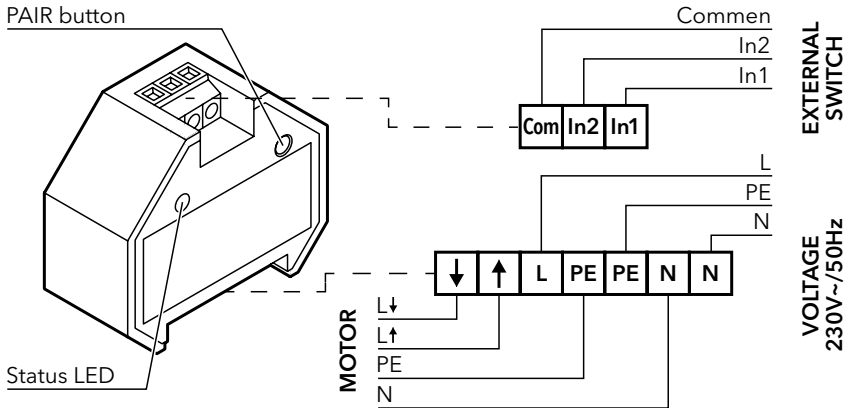
In the event of improper installation contrary to the operating instructions and/or structural modification, the legal and contractual warranty for material defects and product liability shall expire.

3. Safety instructions specific to radio receivers

Avoid damage to the product:

- ▶ **Avoid shocks.**
- ▶ **Do not drop the radio receiver.**
- ▶ **Do not immerse the radio receiver in liquids and protect it from splash water.**
- ▶ **Do not allow children to play with stationary controls.**
- ▶ **Keep radio receivers away from children.**

4. Connection



The receiver can be controlled by an external switch. This must be potential-free. Under no circumstances must 230 V be connected via this input; this would destroy the control unit! We recommend using switches with gold contacts.

5. Operating modes

There are two operating modes:

1. Roller shutter mode
2. Blind mode

The radio receiver is in roller shutter mode by default. After a reset, the operating mode is always the roller shutter mode.

5.1 Changing operating mode

1. Press the PAIR button on the radio receiver for 6 seconds → The LED starts flashing quickly after 3 seconds, the LED flashes slowly after 6 seconds. As soon as the LED flashes slowly, release the PAIR button.
2. Press the PAIR button on the radio receiver again until the LED stops flashing (after 3 seconds).
3. Release the PAIR button, the operating mode has been changed.

5.2 Displaying current operating mode

Briefly press the PAIR button on the radio receiver (< 1 second):

- 1x flashing → Roller shutter mode, also suitable for awnings and screens
- 2x flashing → Blind mode

6. Operation

6.1 Connecting the first hand-held transmitter

1. Connect the receiver to the drive.
2. Connect the receiver to power → The radio receiver clicks.
3. Press the UP and DOWN buttons on the hand-held transmitter simultaneously → The radio receiver clicks, connection completed.

6.2 Changing the rotating direction

1. Press the PAIR button on the hand-held transmitter for > 5 seconds → The radio receiver clicks.
2. Press the STOP button for > 2 seconds → The radio receiver clicks; the rotating direction has been changed.

EN

6.3 Connecting a second hand-held transmitter

Option 1:

1. Hand-held transmitter that is already taught in: Press the PAIR button for > 5 seconds → The radio receiver clicks.
2. New hand-held transmitter: Press the PAIR button for > 2 seconds → The radio receiver clicks; the second hand-held transmitter has been taught in.

Option 2:

1. Press the PAIR button on the receiver for 3 seconds (until the LED flashes quickly).
2. Press any button on the hand-held transmitter to be taught in for 3 seconds → The radio receiver clicks, the LED stops flashing.

6.4 Deleting a hand-held transmitter

1. Hand-held transmitter NOT to be deleted: Press the PAIR button for > 5 seconds → The radio receiver clicks.
2. Hand-held transmitter to be deleted: Press the PAIR button on the hand-held transmitter for > 10 seconds → The radio receiver clicks after 2 seconds and after 10 seconds, the hand-held transmitter is deleted.

6.5 Replacing a lost hand-held transmitter

1. Disconnect the receiver from the power supply for at least 2 seconds.
2. Reconnect the receiver to the mains for 10 seconds.
3. Disconnect the receiver from the power supply for at least 2 seconds.
4. Reconnect the receiver to the mains. The radio receiver clicks.
5. Press the PAIR button on a new hand-held transmitter for at least 2 seconds. The drive clicks, the new hand-held transmitter has been taught in.



ATTENTION: The lost hand-held transmitter will remain stored in the receiver. If you are not certain where the hand-held transmitter is, all hand-held transmitters can be deleted by resetting the radio receiver to the factory settings.

6. Resetting the radio receiver to the factory settings
 1. Disconnect the receiver from the power supply for at least 2 seconds.
 2. Reconnect the receiver to the mains for 10 seconds.
 3. Disconnect the receiver from the power supply for at least 2 seconds.
 4. Reconnect the receiver to the mains. The radio receiver clicks.
 5. Press the PAIR button on a hand-held transmitter that has already been taught in. The radio receiver clicks 2x after approx. 2 seconds and then again after approx. 7 seconds; the drive has been reset to factory settings.

EN

7. Setting intermediate position

You can set two intermediate positions. The first intermediate position is set from the upper end position, the second one from the lower end position.

No intermediate position is taught in in the factory settings in roller shutter mode. A lower intermediate position is stored in the factory settings in blind mode. This position is just above the lower end position (slats slightly opened).

Setting/changing the upper intermediate position

1. Move the drive to the upper end position.
2. Press and hold the STOP button → The drive moves down.
3. Release the STOP button when the desired intermediate position is reached → The drive stops.
4. You can adjust the position with the UP and DOWN buttons.
5. Press the STOP button until the radio receiver clicks twice after approx. 5 seconds → The upper intermediate position has been saved.

Setting/changing the lower intermediate position

1. Move the drive to its lower end position.
2. Press and hold the STOP button → The drive moves upwards.
3. Release the STOP button when the desired intermediate position is reached → The drive stops.
4. You can adjust the position with the UP and DOWN buttons.
5. Press the STOP button until the drive clicks twice after approx. 5 seconds → The lower intermediate position has been saved.

If no new intermediate position is stored within 180 seconds, the existing intermediate position will be deleted and the receiver will return to normal mode.

8. Move to intermediate position

Roller shutter mode

Drive is in the upper end position

1. Press the STOP button briefly (< 1 second) → The drive moves to the upper intermediate position.

Drive is in the lower end position

1. Press the STOP button briefly (< 1 second) → The drive moves to the lower intermediate position.

Blind mode

Drive is in the upper end position (3 options)

1. Press the STOP button briefly (< 1 second) → The drive moves to the lower end position and opens the slats by 45° (lower intermediate position).
2. Press the DOWN button briefly (< 1 second) → The drive moves to the upper intermediate position (slats closed).
3. Briefly press the DOWN button twice (< 1 second) → The drive moves to the upper intermediate position and opens the slats by 45°.

Drive is in the lower end position

1. Press the STOP button briefly (< 1 second) → The drive opens the slats by 45° (lower intermediate position).

9. Reset to factory settings

Press the PAIR button on the external radio receiver for > 10 seconds → After 3 seconds the LED flashes quickly, after 6 seconds the LED flashes slowly, after 10 seconds the LED switches off, the receiver is reset.

A hand-held transmitter can be taught in by pressing the UP and DOWN buttons simultaneously.

10. Technical data

Supply voltage	230 V (+/-10%) / 50 Hz
Relay switching currents	(resistive) 3 A
Transmitting frequency	433,92 MHz
Transmitting power	6 dBm
Temperature range	-0°C to +60°C
Protection class	IP20
Dimensions	ca. 52 x 47 x 30 mm

Subject to technical modifications

11. Declaration of Conformity

The receiver complies with the technical regulations of the European Community, carries the CE mark and can be used in all EU countries and Switzerland without registration.

The declaration of conformity for the handheld transmitter can be found at www.geiger.de

12. Disposal notice

Disposal of packaging materials

Packaging materials are raw materials and can therefore be reused. Please dispose of them properly in the interest of environmental protection.

Disposal of electrical and electronic equipment

According to the EU Directive, electrical and electronic equipment must be collected and disposed of separately.

EN

**For technical questions, please call our service team at: +49 (0) 7142 938 333.
They will be happy to assist you.**

GEIGER
ANTRIEBSTECHNIK

Gerhard Geiger GmbH & Co. KG
Schleifmühle 6 | D-74321 Bietigheim-Bissingen
T +49 (0) 7142 9380 | F +49 (0) 7142 938 230
info@geiger.de | www.geiger.de

