

# GEIGER

PARTNER TO THE SUN

Tubular motor:

**GEIGER-SOLIDline**

Motor control:

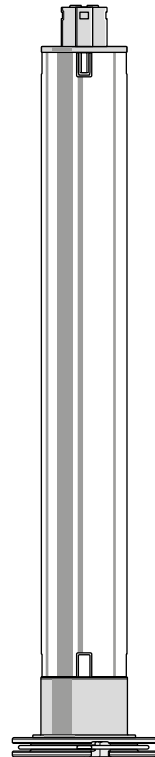
**GEIGER-SoftZeroWireless (GU45..F02)**

for cassette awnings

EN

**Original assembly and  
operating instructions**

EN



# Index

1. General information.....	2
2. Guarantee .....	2
3. Intended use.....	3
4. Safety instructions.....	3
5. Safety instructions for assembly .....	4
6. Installation instructions .....	5
7. Information for the specialist electrician .....	6
8. Bringing into service .....	6
9. Learning/deleting the radio code .....	7
10. Adjusting the End Position .....	7
11. Teaching-in the Incline Position .....	9
12. Deactivation of the close-range function .....	9
13. GEIGER-Powertronic .....	10
14. Function description of radio motor .....	12
15. Radio codes.....	12
16. Initiating End Positions .....	13
17. Obstacle detection.....	13
18. End position correction.....	14
19. What to do if.....	14
20. Maintenance .....	14
21. Declaration of conformity .....	15
22. Technical data .....	16
23. Notes on waste disposal .....	16

EN

## 1. General information

Dear customer,

By purchasing a GEIGER motor you have decided on a quality product from GEIGER.

Thank you very much for your decision and the confidence placed in us.

Before you put this drive into operation please observe the following safety instructions. It serves for the prevention of danger and for the avoidance of personal injury and damage to property.

The installation and operating instructions contain important information for the installer, the specialist electrician and the user. Please pass on these instructions if you transfer the product. These instructions should be kept by the user.

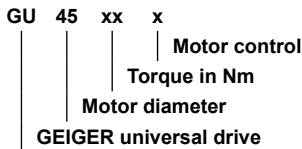
## 2. Guarantee

In the case of incorrect installation contrary to the installation and operating instructions and/or constructional modification, the legal and contractual guarantee for property damage and product liability lapses.

### 3. Intended use

The motors of the model range **SOLIDline (GU45..F02)** with the **SoftZeroWireless** control are designed exclusively for the operation of cassette awnings.

The motors may not be used for the operation of roller grilles, garage doors, furniture and lifting tools.



### 4. Safety instructions



**ATTENTION: Important safety instructions. For personal safety, it is important to follow these instructions. Please keep these instructions for future reference.**

- ▶ Do not allow children to play with stationary controls. Keep remote controls away from children.
- ▶ The installation is to be checked regularly for defective balance, signs of wear or damaged cables and springs, if relevant.
- ▶ Do observe the moving sun protection system and keep persons away until it has closed completely.
- ▶ When operating the manual release with the sun protection system open, please be cautious as it can fall down quickly if springs or tapes wear off or are broken.
- ▶ Do not operate the device if operations such as, for example, window cleaning are to be carried out in the vicinity.
- ▶ Disconnect the automatic controlled device from the mains power supply if operations such as, for example, window cleaning are being carried out in the vicinity.
- ▶ During operation observe the danger zone.
- ▶ Do not use the installation if people or objects are in the danger zone.
- ▶ Urgently shut down damaged installations until repair.
- ▶ Unconditionally shut down the unit during maintenance and cleaning operations.
- ▶ Pinching and shearing points are to be avoided and must be secured.
- ▶ This appliance can be used by children aged 8 and above and persons whose physical, sensorial or mental capacities are impaired, or who have no experience or know-how if they have been supervised or been given instructions on the use of the appliance and if they understand the possible resulting dangers. Children are not permitted to play with the device. Cleaning and maintenance should not be carried out by children.
- ▶ The rated sound pressure level is less than 70 dB(A).
- ▶ Disconnect the device from the mains power supply for maintenance and replacement of parts.  
If the motor is disconnected via a plug connection the operator must be able to control - from any place to which it has access – that the plug is removed.  
If this is not possible - due to design or installation - the disconnection from the power supply must be ensured via locking in the disconnected position (e.g. isolator).
- ▶ The motor tube can get very hot during prolonged use.  
When working on the unit, do not touch the tube before it has cooled down.

EN

## 5. Safety instructions for assembly



**ATTENTION: Important safety instructions. Follow all installation instructions, as incorrect installation can lead to serious injuries.**

- ▶ When mounting the motor without any mechanical protection of the driven parts and of the tube which may become hot, the motor must be installed at a height of at least 2.5 m above the ground or of another level which provides access to the drive.
- ▶ Before the motor is installed, all cables which are not needed are to be removed and all equipment which is not needed for power-operated actuation is to be put out of operation.
- ▶ The actuating element of a manual release must be mounted at a height of less than 1.8 m.
- ▶ If the motor is controlled by a switch or pushbutton, the switch or pushbutton must be mounted within eyeshot of the motor. The switch or pushbutton must not be located in the vicinity of moving parts. The height of installation must be at least 1.5 m above the floor.
- ▶ Permanently installed control devices must be attached visibly.
- ▶ In case of devices extending horizontally, a horizontal distance of at least 0.4 m must be respected between the fully extended part and any other fixed element.
- ▶ The rated speed and the rated torque of the motor must be compatible with the device.
- ▶ The mounting accessories that are used must be designed in accordance with the selected rated torque.
- ▶ Good technical knowledge and good mechanical skills are necessary for the motor installation. Incorrect installation can lead to serious injury. Electrical work must be carried out by a qualified electrician in accordance with the regulations in force locally.
- ▶ Only use connecting cables that are suitable with the environmental conditions and which meet the construction requirements. (see accessories catalogue)
- ▶ If the device is not equipped with a connecting cable and a plug, or other means for disconnecting from the mains with a contact opening on each pole according to the conditions of the overvoltage category III for full disconnection, a disconnecting device of this type must be incorporated into the permanently installed electrical installation according to the wiring rules.
- ▶ Do not mount the connecting cables near hot surfaces.
- ▶ A plug for the disconnection of the motor from the power supply must be accessible after installation.
- ▶ Damaged connecting cables must be replaced by GEIGER connecting cables of the same type.
- ▶ The device must be mounted as described in the installation instructions. Fixations shall not be made with adhesives since they are regarded as unreliable.

## 6. Installation instructions

Before fixing, the strength of the masonry or of the subsurface is to be checked.



**Prior to installation please check to ensure there is no visible damage to the motor like cracks or open cables.**



**Caution: If the tube is screwed/riveted to the drive, the measure must be taken from the tube end to the center of the drive and marked on the tube.**

### Installation into awnings:

Insert motor with a suitable adapter and drive into the shaft up to the stop of the shaft adapter.

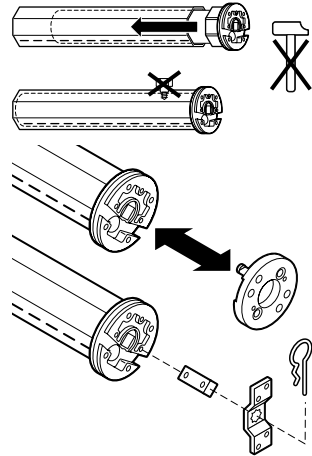
Fix the motor support on the awning. Fix the motor together with the shaft on the motor support. The bearer locks into place.

Depending on the selected motor head, different fixation systems can be used:

- Place the motor with square insert in the star-shaped bearer and lock with pin
- Place the motor into the existing engine bearer and lock
- Place the motor in a compatible engine bearer with clip system and lock with spring or rotating lever



**The GEIGER SOLIDline motor is suitable for shaft diameters from 50 mm!**



## 7. Information for the specialist electrician



**Caution: Important installation instructions.**  
**Please follow all installation instructions**  
**since incorrect installation can lead to**  
**the destruction of the motor and the**  
**switching unit.**

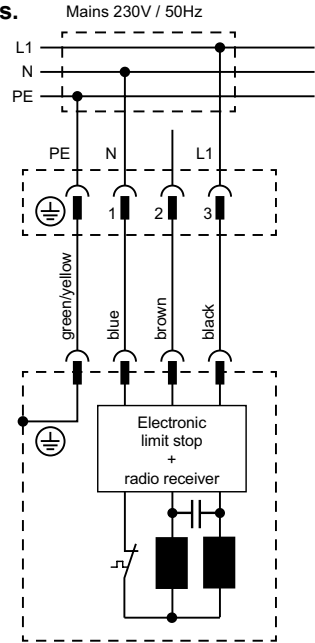
The operations with the service clamps must only be carried out by a skilled electrician.

The parallel operation of several SOLIDline SoftZeroWireless motors is possible. In this case the maximum load of the switching unit must not be exceeded.

PVC cables are not suitable for equipment used outdoors or exposed to prolonged high levels of UV radiation.

These cables should not be used if they are likely to touch metal parts that can heat up to temperatures exceeding 70°C.

Connecting cables with plug connectors of the Hirschmann Company are tested and approved with couplings of the Hirschmann Company.



## 8. Bringing into service

### Definition of „near range“:

Distance of the hand-held transmitter to the motor control:  
 max. 15 cm,

or

hold at the hand-held transmitter directly on to the motor-connecting cable.

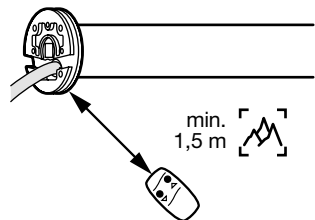
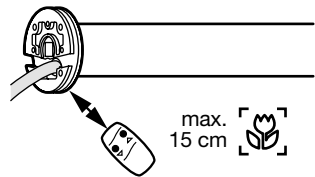
The motor-connecting cable thus serves up to a length of 3 metres as an “antenna”.

### Definition of „far range“:

Distance of the hand-held transmitter to the motor control:  
 min. 1.5 metres,

or

Distance of the hand held transmitter to the motor connecting cable min. 0.5 metres



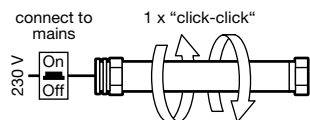
### Activate learning mode:

Connect the motor to the power grid.

Switch on the mains. The motor makes a short back and forth movement (1 x „click-click“).

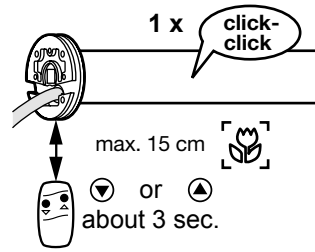
After each interruption of the voltage supply, the learning mode **can** be activated for 30 min.

The learning mode is necessary in order to transmit radio codes, or in order to be able to adjust the end positions again.



In the near range press UP or DOWN key and keep it pressed for about 3 seconds until the motor actuates (1 x "click-click").

**!** If no action takes place within 60 seconds, the learning mode is deactivated! The motor returns to normal operation (3 x „click-click“).



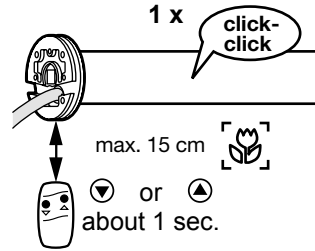
## 9. Learning/deleting the radio code

**!** The learning mode must be activated first in order to delete the radio codes.

In the close range press UP or DOWN key for about 1 second. The motor actuates. (1 x "click-click").

The remote code is taught to the motor!

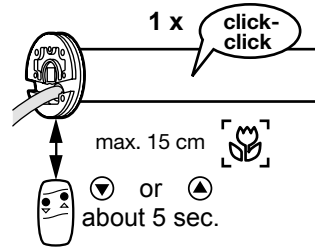
**!** If no action takes place within 60 seconds, the learning mode is deactivated! The motor returns to normal operation (3 x „click-click“).



### Deleting the radio code

**!** The learning mode must be activated first in order to delete the radio codes.

At close range, press the UP or DOWN key and hold approx. 5 seconds. The motor reacts immediately (1 x 'Click-Click'). Keep the key pressed about 5 sec. until the motor confirms the deleting of the radio codes with 1 x'Click-Click'.



**!** Please note:  
You can only delete all remote codes and sensor remote codes together. It is not possible to delete individual remote codes.

## 10. Adjusting the End Position

**!** It is required for the upper end position to act as a stopper for torque deactivation (e.g. casing contour).

**!** In order to adjust the end position, the learning mode must first be activated!

### Activating the end position mode:

From far range, press the up or down button and hold until you hear the motor (1 x 'Click-Click').

**!** Please note!  
The correct button allocation for up and down happens automatically after programming of the end position is complete.

## Adjusting the Lower End Position



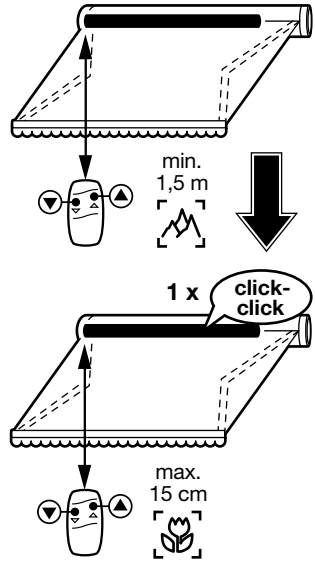
The lower end position must be adjusted first.

From far range, press the up or down button and hold until the awning has reached the desired end position. Corrections are possible with the up and down buttons.

### Saving the lower end position:

From close range, press the up or down button and hold approx. 1 second, then release.

The motor responds (1 x 'Click-Click').



## Adjusting the Upper End Position

From far range, press the up or down button and hold approx. 3 seconds until the awning retracts and locks.

As soon as the casing is closed, the motor automatically turns off and the upper end position is saved. You will hear the motor (1 x 'Click-Click'). The up and down buttons are now assigned to the corresponding turning direction of the motors!

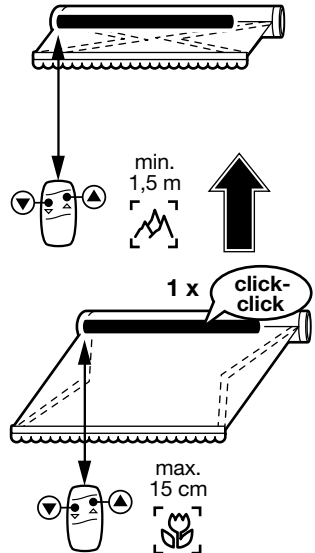
Programming is finished and the motor has changed to normal operation.



Finally, conduct at least one trial run, so that the motor electronics can automatically detect the threshold of the torque disconnection.



Please note! When changing the end position, the power level is reset to its standard setting (Level 0).





## 11. Teaching-in the Incline Position

To move from an arbitrary position to the desired end position, press and hold the two-way button for approx. 3 sec. until you hear the motor (1 x 'Click-Click'). Then release the button!

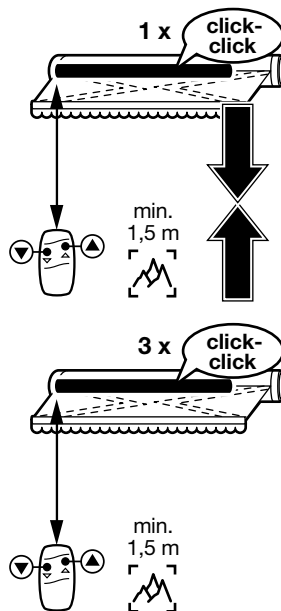
**The incline position is now saved.**

### Changing the Incline Position

See 'Teaching-in the Incline Position'. However, this is for a newly desired position.

### Deleting the Incline Position

Stop the awning from moving up and down and press and hold the button approx. 5 sec. until you hear the motor (3 x 'Click-Click').



## 12. Deactivation of the close-range function

If two motors are installed so that both trigger in the close range, there is the option of deactivating the close-range function in one of the two motors.



**The prerequisite is that the motors must be assigned to different button pairs!**

To deactivate the close-range function, move the desired hanging to the upper end position, push the „UP“ button and keep it pushed for about 5 seconds until the motor confirms (2 x „click-click“).

The motor must be disconnected from the mains briefly to active the close-range function.

EN

## 13. GEIGER-Powertronic

The GEIGER-Powertronic enables the user to change the motor's closing characteristics. The user can raise or reduce the closing power applied through the motor. This way, he or she influences the closing characteristics of the casing. A rise in the closing power causes a tighter closing of the casing with increased stress on the fabric; a reduction in the closing power causes a looser closing and less strain to the fabric.

**Closing power levels:** from level 0 to level 7

**GEIGER-delivery setting:** level 0



**Caution: By manually raising the closing power (e.g. from level 0 to level 7) the fabric endures more strain.**

**In which situations is the GEIGER-Powertronic applied?**

- If the casing does not completely close.
- If the closing operation should be optimised for better fabric protection.

**When can the GEIGER-Powertronic be applied?**

- Anytime; this function can be activated during initial operation, as well as at a later date.

**Which resources are necessary?**

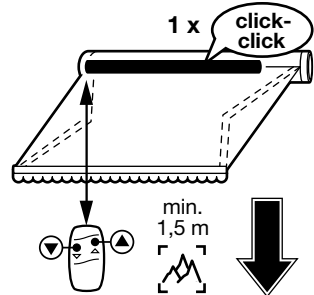
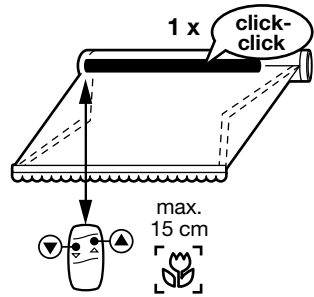
- GEIGER-hand-held remote, which is taught-in in accordance with Chapter 9.

Please note:

- The end positions are not affected when the GEIGER-Powertronic is activated.
- When the end position teach-in mode is activated, the power level is reset to level 0 (GEIGER-delivery setting).
- Only activate the GEIGER-Powertronic after the end positions have been taught-in and a complete trial has been conducted.

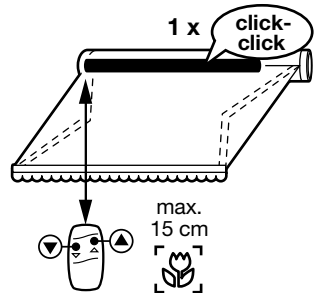
## Activating the GEIGER-Powertronic

1. At close range, press the 'Up' or 'Down' button and hold approx. 3 seconds until you hear the motor (1 x 'Click-Click').
2. From far range, press the 'Up' or 'Down' button and hold approx. 1 second until you hear the motor (1 x 'Click-Click').
3. At close range, press the 'Up' or 'Down' button and hold approx. 3 seconds until you hear the motor (1 x 'Click-Click').
4. Now the power can be incrementally increased with the 'Up' button and incrementally reduced with the 'Down' button.
5. When the desired power level is reached, at close range, press the 'Up' or 'Down' button and hold approx. 1 second. The motor is now in its normal operating mode. (1 x 'Click-Click').



**As soon as the lowest or highest power level has been reached and you try to continue to raise or lower the level, you will hear a signal from the motor (2 x 'Click-Click').**

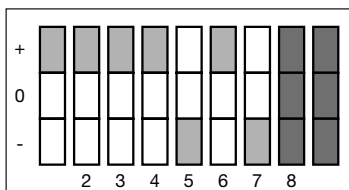
Should there be no activity for 60 seconds, input mode will be deactivated. The power level set will be assumed!



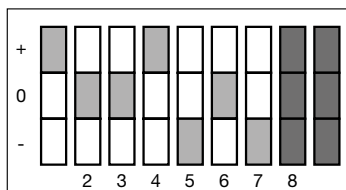
## 14. Function description of radio motor

In the delivery state, each GEIGER radio receiver and radio transmitter is equipped with the "GEIGER-Code" + + + + - - so that the motor can be operated immediately, in order, for example, to facilitate the installation of hangings on the winding shaft.

For security reasons, the „GEIGER-Code“ must be overwritten by an individual code! This takes place automatically in the teaching for the first time of an individual code (see chapter 9 learn/delete radio codes).



„GEIGER code“



individual code (example)

**The DIP switches No. 8 and No. 9 have no function!**

Please take the description and adjustments from the operating instructions of the appropriate hand-held/wall transmitter.

## 15. Radio codes

A maximum of three different functional codes can be taught. The motor can thus be a member in three groups that are independent of one another. Additionally, a further two radio sensor codes can be taught.

If three radio codes have already been taught and it is attempted to teach a fourth code, the radio code learnt as the third code is cancelled and replaced by the new code. If two radio sensor codes have already been taught and it is attempted to teach a third code, the radio sensor code learnt as the second code is cancelled and replaced by the new code.

**Example:**

### Wireless receiver in the motor

Group 1 Code + 0 0 + - 0 -	Group 2 Code + + + 0 0 + +	Group 3 Code + - + - + +	Sensor 1 Code + - + - + +	Sensor 2 Code + + - - + +

**For your documentation record any hand-held remote/sensor codes taught into the motor here:**

Group 1

Group 2

Group 3

Sensor 1

Sensor 2

### Programming in the far range/near range

In the radio receiver of the motor is integrated an approach detector that recognizes whether a radio transmitter is operated from some distance = far range, (at least 1.5 metres distance to the motor control or 0.5 metres to the motor cable), or it is operated close to the antenna = near range, (at most 15 cm removed or directly on the motor connecting cable).



**Caution: If radio receivers or motor connecting cables lie near to one another, unintentional codes can be transmitted to other radio receivers.**

**Recommendation:**

When starting the motor for the first time, disconnect motors that are intended to be operated by another pair of keys, or by another code, from the mains.

## 16. Initiating End Positions

### **No incline position has been programmed in:**

To initiate the end positions, a short press of the button in the corresponding direction of movement is enough.

To stop the movement, a short press of the button in the opposite direction is enough.

Should a sun-wind sensor be integrated into the system, in automatic mode (solar-on) the end positions are initiated.

### **An incline position is programmed in:**

To initiate the end positions, the button corresponding to the correct direction of movement must be pressed for **at least 1.5 seconds**.

A short press of the button: **less than 1.5 seconds** will cause the **incline position** to initiate.

To stop the movement, a **short** press of the button in the opposite direction is enough.

Should a sun-wind sensor be integrated into the system, in automatic mode (solar-on) the end positions will always be initiated.

## 17. Obstacle detection

When, after the teaching of the first complete, uninterrupted travel from one end position to the other end position is carried out, the torque needed is learnt.

In any following complete, uninterrupted travel from end position to end position, the torque needed is automatically reset. Slow changes in the installation due to ageing, soiling, cold or heat are thus automatically taken into consideration.

If a travel movement in UP direction is blocked by an obstacle, the motor switches off and a small return motion takes place.

The running direction in which the obstacle was recognized is blocked.

The block is removed if the motor has been operated in the opposite direction for a certain time.

An obstacle must thus first be released before the motor can be operated again in the direction of the obstacle.

## 18. End position correction

If a lengthening/shortening of the hanging has resulted due to e.g. temperature changes, this will be automatically corrected by closing the awning.

If, due to temperature changes, an adjusted sleeve performance is set and the hanging runs against the stop unit, the end position is immediately corrected.

After the first trial, the motor automatically identifies the torque necessary to close the awning and closes it with the lowest possible power, so that the fabric is optimally protected.

## 19. What to do if...

Problem	Solution
<b>No short “click-click“ on switching on the motor.</b>	<ul style="list-style-type: none"><li>• Motor not plugged in.</li><li>• Please check the plug connection.</li><li>• Check connecting cable for possible damage.</li><li>• Check the mains voltage and allow the cause of the voltage breakdown to be tested by a specialist electrician.</li></ul>
<b>Instead of in the upwards direction, motor runs downwards.</b>	<ul style="list-style-type: none"><li>• End positions are set wrongly. First set the upper, then the lower end position.</li></ul>
<b>Hand-held transmitter does not work.</b>	<ul style="list-style-type: none"><li>• Check the battery.</li><li>• The wind sensor has triggered. Try it again after the expiry of the wind cut-off time.</li><li>• Inadvertent deletion of the radio code.</li><li>• Start learning radio code again (see chapter 9).</li></ul>
<b>After running several times, the motor breaks down and no longer responds.</b>	<ul style="list-style-type: none"><li>• The motor became too hot and has switched off. Try it again after a cooling time of about 15 min.</li></ul>
<b>The motor no longer runs automatically.</b>	<ul style="list-style-type: none"><li>• The sun automatic control mechanism was switched off.</li><li>• The wind sensor has triggered. Try it again after the expiry of the wind cut-off time.</li><li>• Inadvertent deletion of the radio code. Start learning radio code again (see chapter 9).</li></ul>
<b>The motor does not react to the near range</b>	<ul style="list-style-type: none"><li>• Move as close as possible to the motor head with the hand-held transmitter.</li><li>• Exchange the batteries in the hand-held transmitter.</li><li>• The close range is deactivated. To activate the close range disconnect the motor from the electrical supply for about 3 seconds.</li></ul>

EN

## 20. Maintenance

The drive is maintenance-free.

# 21. Declaration of conformity



## EU Declaration of Conformity

Gerhard Geiger GmbH & Co. KG  
Antriebstechnik  
Schleifmühle 6  
D-74321 Bietigheim-Bissingen

**Product designation:**

Venetian blinds motor, motor for rolling shutters, motor for awnings

**Type designation:**

GJ56..  
GR45..  
GU45..  
GSI56..

**Applied directives:**

2006/42/EC  
2014/30/EU  
2014/53/EU  
2011/65/EU

**Applied standards:**

DIN EN 60335-1 (VDE 0700-1):2012-10; EN 60335-1:2012  
DIN EN 60335-1 Ber.1 (VDE 0700-1 Ber.1):2014-04; EN 60335-1:2012/AC:2014  
EN 60335-1:2012/A11:2014  
DIN EN 60335-2-97 (VDE 0700-97):2017-05; EN 60335-2-97:2006+A11:2008+A2:2010  
+A12:2015  
DIN EN 62233 (VDE 0700-366):2008-11; EN 62233:2008  
DIN EN 62233 Ber.1 (VDE 0700-366 Ber.1):2009-04; EN 62233 Ber.1:2008  
DIN EN ISO 12100:2011-03; EN ISO 12100:2010  
  
DIN EN 55014-1:2012-05; EN 55014-1:2006 + A1:2009 + A2:2011  
DIN EN 55014-2:2016-01; EN55014-2:2015  
DIN EN 61000-3-2:2015-03; EN 61000-3-2:2014  
DIN EN 61000-3-3:2014-03; EN 61000-3-3:2013  
ETSI EN 301 489-1 V1.9.2(2011-09)  
ETSI EN 301 489-3 V1.6.1(2013-08)  
ETSI EN 300 220-2 V3.1.1(2017-02)

**Authorized representative for technical data:**

Gerhard Geiger GmbH & Co. KG

**Address:**

Schleifmühle 6, D-74321 Bietigheim-Bissingen

Bietigheim-Bissingen, 27.06.2018

Dr. Marc Natusch (General Manager)

100011318 001 0018

**Gerhard Geiger GmbH & Co. KG**

Schleifmühle 6 | D-74321 Bietigheim-Bissingen  
Phone +49 (0) 7142 9380 | Fax +49 (0) 7142 938 230 | info@geiger.de | www.geiger.de  
Sitz Bietigheim-Bissingen | Amtsgericht Stuttgart HRA 300591 | USt-IdNr. DE145002146  
Komplementär: Geiger Verwaltungs-GmbH | Sitz Bietigheim-Bissingen | Amtsgericht Stuttgart HRB 300481  
Geschäftsführer: Dr. Marc Natusch, Roland Kraus | WEEE-Reg.-Nr. DE47902323

EN

Current declarations of conformity are available under [www.geiger.de](http://www.geiger.de)

## 22. Technical data

Technical data of tubular motor SOLIDline-KS (GU45..)						
	GU4506	GU4510	GU4520	GU4530	GU4540	GU4550
<b>Voltage</b>	230 V~/50Hz					
<b>Current</b>	0,36 A	0,47 A	0,63 A	0,8 A	1,0 A	1,0 A
<b>Cos Phi (cos<math>\varphi</math>)</b>	>0,95					
<b>Inrush current (factor)</b>	x 1,2					
<b>Power</b>	83 W	105 W	140 W	180 W	220 W	220 W
<b>Torque</b>	6 Nm	10 Nm	20 Nm	30 Nm	40 Nm	50 Nm
<b>Speed</b>	16 rpm	16 rpm	16 rpm	16 rpm	16 rpm	12 rpm
<b>Protection class</b>	IP 44					
<b>Total length<sup>1)</sup></b>	506,5 mm	516,5 mm	546,5 mm	566,5 mm	586,5 mm	586,5 mm
<b>Operating mode</b>	S2 4 min	S2 4 min	S2 5 min	S2 4 min	S2 4 min	S2 4 min
<b>Sound pressure level<sup>2)</sup></b>	39 dB(A)	39 dB(A)	41 dB(A)	41 dB(A)	43 dB(A)	-
<b>Diameter</b>	45 mm					
<b>Weight</b>	approx 1,85 kg	approx 1,90 kg	approx 2,20 kg	approx 2,40 kg	approx 2,70 kg	approx 2,70 kg
<b>Ambient temperature / humidity</b>	Operation: T = -10°C .. +60°C / H max. 90% Storage : T = -15°C .. +70°C / dry and non-condensing place					

<sup>1)</sup> **SOLIDline-ZN:** -1 mm / **SOLIDline-COM/-SIC** + 3,5 mm / **SOLIDline-SOC:** + 3 mm

<sup>2)</sup> The average sound pressure level data are intended for guidance only. The values were determined by GEIGER at a distance of 1 m, with a hanging motor at idle speed and averaged over 10 seconds. There is no reference to any specific test standard.

Subject to technical modifications



## 23. Notes on waste disposal

### Recycling of packaging materials

In the interest of environmental protection, please contact your local government's recycling or solid waste management department to learn more about the services it provides.

Waste disposal of electric and electronic equipment

Electrical and electronic equipment must be collected and disposed of separately in accordance with EU regulations.

EN

**For technical questions, please call our service team at: +49 (0) 7142 938-333. They will be happy to assist you.**

# GEIGER

PARTNER TO THE SUN

**Gerhard Geiger GmbH & Co. KG**

Schleifmühle 6

D-74321 Bietigheim-Bissingen

Telephone: +49 (0) 7142 938-0

Telefax: +49 (0) 7142 938-230

E-Mail: [info@geiger.de](mailto:info@geiger.de)

Internet: [www.geiger.de](http://www.geiger.de)

