

GEIGER INline System GSI56..r

with mechanical end stop for the facade technology



EN

**Original assembly and
operating instructions**

EN

Index

1. General information	2
2. Guarantee	2
3. Intended use	3
4. Safety instructions	3
5. Safety instructions for assembly	4
6. Assembly instructions	5
7. Information for the specialist electrician	6
8. Setting the end positions	7
9. What to do if	8
10. Maintenance	8
11. Technical data	9
12. Declaration of conformity	10
13. Notes on waste disposal	11

EN

1. General information

Dear customer,

By purchasing a GEIGER motor you have decided on a quality product from GEIGER.

Thank you very much for your decision and the confidence placed in us.

Before you put this drive into operation please observe the following safety instructions. It serves for the prevention of danger and for the avoidance of personal injury and damage to property.

The installation and operating instructions contain important information for the installer, the specialist electrician and the user. Please pass on these instructions if you transfer the product. These instructions should be kept by the user.

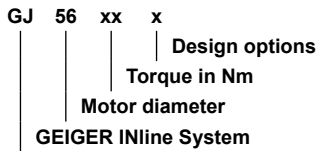
2. Guarantee

In the case of incorrect installation contrary to the installation and operating instructions and/or constructional modification, the legal and contractual guarantee for property damage and product liability lapses.

3. Intended use

The motors of the GSI 56..r series with mechanical end stop are designed for operation with Venetian blinds that are within a façade whereas the motor is outside the cavity.

The motors may not be used for the operation of roller grilles, garage doors, furniture and lifting tools.



4. Safety instructions



ATTENTION: Important safety instructions. For personal safety, it is important to follow these instructions. Please keep these instructions for future reference.

- ▶ Do not allow children to play with stationary controls. Keep remote controls away from children.
- ▶ The installation is to be checked regularly for defective balance, signs of wear or damaged cables and springs, if relevant.
- ▶ Do observe the moving sun protection system and keep persons away until it has closed completely.
- ▶ When operating the manual release with the sun protection system open, please be cautious as it can fall down quickly if springs or tapes wear off or are broken.
- ▶ Do not operate the device if operations such as, for example, window cleaning are to be carried out in the vicinity.
- ▶ Disconnect the automatic controlled device from the mains power supply if operations such as, for example, window cleaning are being carried out in the vicinity.
- ▶ During operation observe the danger zone.
- ▶ Do not use the installation if people or objects are in the danger zone.
- ▶ Urgently shut down damaged installations until repair.
- ▶ Unconditionally shut down the unit during maintenance and cleaning operations.
- ▶ Pinching and shearing points are to be avoided and must be secured.
- ▶ This appliance can be used by children aged 8 and above and persons whose physical, sensorial or mental capacities are impaired, or who have no experience or know-how if they have been supervised or been given instructions on the use of the appliance and if they understand the possible resulting dangers. Children are not permitted to play with the device. Cleaning and maintenance should not be carried out by children.
- ▶ The rated sound pressure level is less than 70 dB(A).
- ▶ Disconnect the device from the mains power supply for maintenance and replacement of parts.
 - If the motor is disconnected via a plug connection the operator must be able to control - from any place to which it has access – that the plug is removed.
 - If this is not possible - due to design or installation - the disconnection from the power supply must be ensured via locking in the disconnected position (e.g. isolator).
- ▶ The motor tube can get very hot during prolonged use.
 - When working on the unit, do not touch the tube before it has cooled down.

EN

5. Safety instructions for assembly



ATTENTION: Important safety instructions. Follow all installation instructions, as incorrect installation can lead to serious injuries.

- ▶ When mounting the motor without any mechanical protection of the driven parts and of the tube which may become hot, the motor must be installed at a height of at least 2.5 m above the ground or of another level which provides access to the drive.
- ▶ Before the motor is installed, all cables which are not needed are to be removed and all equipment which is not needed for power-operated actuation is to be put out of operation.
- ▶ The actuating element of a manual release must be mounted at a height of less than 1.8 m.
- ▶ If the motor is controlled by a switch or pushbutton, the switch or pushbutton must be mounted within eyeshot of the motor. The switch or pushbutton must not be located in the vicinity of moving parts. The height of installation must be at least 1.5 m above the floor.
- ▶ Permanently installed control devices must be attached visibly.
- ▶ In case of devices extending horizontally, a horizontal distance of at least 0.4 m must be respected between the fully extended part and any other fixed element.
- ▶ The rated speed and the rated torque of the motor must be compatible with the device.
- ▶ The mounting accessories that are used must be designed in accordance with the selected rated torque.
- ▶ Good technical knowledge and good mechanical skills are necessary for the motor installation. Incorrect installation can lead to serious injury. Electrical work must be carried out by a qualified electrician in accordance with the regulations in force locally.
- ▶ Only use connecting cables that are suitable with the environmental conditions and which meet the construction requirements. (see accessories catalogue)
- ▶ If the device is not equipped with a connecting cable and a plug, or other means for disconnecting from the mains with a contact opening on each pole according to the conditions of the overvoltage category III for full disconnection, a disconnecting device of this type must be incorporated into the permanently installed electrical installation according to the wiring rules.
- ▶ Do not mount the connecting cables near hot surfaces.
- ▶ A plug for the disconnection of the motor from the power supply must be accessible after installation.
- ▶ Damaged connecting cables must be replaced by GEIGER connecting cables of the same type.
- ▶ The device must be mounted as described in the installation instructions. Fixations shall not be made with adhesives since they are regarded as unreliable.

6. Assembly instructions



A prerequisite for a safe functioning of our system components is a proper assembly taking into account the relevant standards and guidelines in the production of element facades.



The system components supplied by GEIGER may not be reprocessed or altered, otherwise the warranty expires.



Before installation, the motor and the other system parts should be checked for visible damage.

Connecting element:

The connecting element must be screwed at right angles to the mounting surface. It is important to ensure that the mounting surface is cleaned and the seal of the connecting element fits cleanly and evenly on the mounting surface.

Please make sure that the connecting element and the facade element are firmly and durably connected. Tightening torques depend on the facade element and must be determined by the facade manufacturer.

The tightness of the connection between the connecting element and the facade element must be checked on site during installation.

A centering bore optionally used for double-walled profiles may not be larger than + 0.3 mm compared to the centering collar.

Cavity gear:

The cavity gear must be fixed within the cavity in such a way that the hexagonal rod of the connecting element can be inserted without tension into the hexagonal holding of the gear.

The screws must be secured with a screw-lock.

The hexagonal rod of the connecting element must fit exactly into the hexagonal housing of the flanged gear and must not be subject to tension during operation.

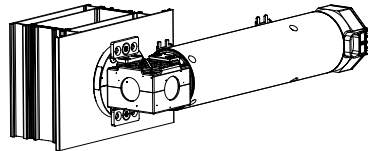
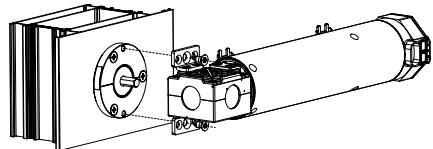
Motor with flanged gear – Parallel mounting:

Screw mounting

For parallel mounting (radial), the drive is placed on the 7 mm hexagonal rod of the connecting element. The drive is attached to the fixing bracket on the angle gear using 2 galvanized countersunk head screws DIN-EN-ISO 14581 8.8 M5 x 10 and a tightening torque $M = 2\text{Nm}$.

The screws must be secured with a high-strength screw-lock.

The hexagonal rod of the connecting element must fit exactly into the hexagonal housing of the flanged gear and must not be subject to tension during operation.



EN

7. Information for the specialist electrician



Caution: Important installation instructions. Please follow all installation instructions since incorrect installation can lead to the destruction of the motor and the switching unit.

Motors with mechanical limit stops cannot be connected in parallel but must be connected via a multipolar switch or a cut-off relay.

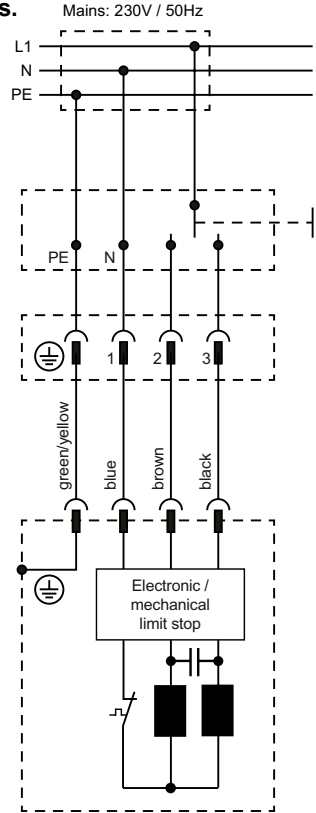
Switches and controls must not execute simultaneous UP and DOWN commands.

When changing the running direction the switchover must be effected through an off-position.

A voltage rise occurs at the LC unit (coil-capacitor unit) of the auxiliary line. The excessive mains voltage is applied respectively to the non-controlled input.

With a three-phase network, please use the same external conductor in order to control the UP and DOWN directions.

Connecting cables with plug connectors of the Hirschmann Company are tested and approved with couplings of the Hirschmann Company.



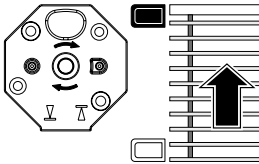
8. Setting the end positions

The GSI56.. has two integrated, freely adjustable limit switches. If required, the factory settings can be changed at any time and as often as you like.



Depending on the installation position of the motor and the features of the adapted gear, the upper and lower end position can swap!
The arrow embossed on the motor (connector side) indicates the rotation direction of the sun protection when moving upwards in the standard installation.

Standard Installation



If the sun protection moves **upwards** in this rotation direction, then:

- the **black setting key** controls the **upper end position**
- the **white setting key** controls the **lower end position**

Setting the upper end position

1. Move the blind approximately 300 mm below the required end position.
2. Press the **black** setting key.
3. Move the blind upwards to the selected final position.
4. Move the blind about 6 seconds downwards until the **black** setting key jumps back audibly (click).

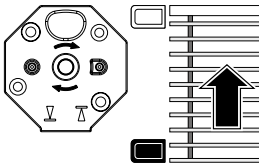
The upper end position is stored.

Setting the lower end position

1. Move the blind approximately 300 mm above the required end position.
2. Press the **white** setting key.
3. Move the blind downwards to the selected final position.
4. Move the blind about 6 seconds upwards until the **white** setting key jumps back audibly (click).

The lower end position is stored.

Inverted installation



If the sun protection moves **downwards** in this rotation direction, then:

- the **black setting key** controls the **lower end position**
- the **white setting key** controls the **upper end position**

Setting the upper end position

1. Move the blind approximately 300 mm below the required end position.
2. Press the **white** setting key.
3. Move the blind upwards to the selected final position.
4. Move the blind about 6 seconds downwards until the **white** setting key jumps back audibly (click).

The upper end position is stored.

Setting the lower end position

1. Move the blind approximately 300 mm above the required end position.
2. Press the **black** setting key.
3. Move the blind downwards to the selected final position.
4. Move the blind about 6 seconds upwards until the **black** setting key jumps back audibly (click).

The lower end position is stored.

9. What to do if...

Problem	Solution
Motor does not run.	<ul style="list-style-type: none">• Motor not plugged in. Please check the plug connection.• Check connecting cable for possible damage.• Check the mains voltage and allow the cause of the voltage breakdown to be tested by a specialist electrician.
Instead of in the upwards direction, motor runs downwards.	<ul style="list-style-type: none">• The control leads are interchanged. Exchange black/brown control leads.
Motor only runs in one direction.	<ul style="list-style-type: none">• Motor in the end position. Run motor in the opposite direction. Readjust the end positions, if necessary.
After running several times, the motor breaks down and no longer responds.	<ul style="list-style-type: none">• The motor became too hot and has switched off. Try it again after a cooling time of about 15 min.
After setting of the lower end position the blind only runs in DOWN direction.	<ul style="list-style-type: none">• The motor has been installed upside down (see assembly note).

10. Maintenance

The drive is maintenance-free.

11. Technical data

Technical data GSI56..r with mechanical end stop		
	GSI5606r	GSI5610r
Voltage	230 V~/50 Hz	
Current	0,40 A	0,60 A
Cos Phi (cosφ)	> 0,95	
Inrush current (factor)	x 1,2	
Power	93 W	135 W
Torque	6 Nm	10 Nm
Speed	26 rpm	
Protection class	IP 54	
Limit switch range	80 rotations	
Operating mode	S2 4 min	
Sound pressure level¹⁾	34 db(A)	35 db(A)
Length²⁾	301 mm	311 mm
Diameter	55 mm	
Weight²⁾	ca. 1,50 kg	ca. 1,70 kg
Air humidity	dry and non-condensing place	
Storage temperature	T = -15°C .. +70°C	

¹⁾ The average sound pressure level data are intended for guidance only. The values were determined by GEIGER at a distance of 1 m, with a hanging motor at idle speed and averaged over 10 seconds. There is no reference to any specific test standard.

²⁾ With angel gear GSI1...: total length + 52 mm / weight + 0,4 kg

Subject to technical modifications. Please find information to the ambient temperature range of our GEIGER motors under www.geiger.de

12. Declaration of conformity

GEIGER
ANTRIEBSTECHNIK

EU Declaration of Conformity

Gerhard Geiger GmbH & Co. KG
Antriebstechnik
Schleifmühle 6
D-74321 Bietigheim-Bissingen

Product designation:

Venetian blinds motor, motor for rolling shutters, motor for awnings

Type designation:

GJ56.., GR45.., GU45.., GSI56.., GB45.., GB35..

Applied directives:

2006/42/EG
2014/53/EU
2011/65/EU + (EU)2015/863 + (EU)2017/2102

Applied standards:

EN 60335-1:2012
EN 60335-1:2012/AC:2014
EN 60335-1:2012/A11:2014
EN 60335-1:2012/A13:2017
EN 60335-1:2012/A1:2019
EN 60335-1:2012/A14:2019
EN 60335-1:2012/A2:2019
EN 60335-2-97:2006+A11:2008+A2:2010+A12:2015
EN 62233:2008
EN 62233 Ber.1:2008
EN IEC 5514-1:2021
EN IEC 5514-2:2021
EN IEC 61000-3-2:2019+ EN IEC 61000-3-2:2019/A1:2021
EN 61000-3-3:2013+EN 61000-3-3:2013/A1:2019+EN 61000-3-3:2013/A2:2022

ETSI EN 301 489-1 V2.2.3 (2019-11)
ETSI EN 301 489-3 V2.1.1(2019-03)
ETSI EN 300 220-2 V3.2.1 (2018-06)

DIN EN IEC 63000:2019-05

Authorized representative for technical data:

Gerhard Geiger GmbH & Co. KG

Address:

Schleifmühle 6, D-74321 Bietigheim-Bissingen

Bietigheim-Bissingen, 18.07.2023


Roland Kraus (General Manager)

Gerhard Geiger GmbH & Co. KG

Schleifmühle 6 | D-74321 Bietigheim-Bissingen
Phone: +49 (0) 7142 9380 | Fax: +49 (0) 7142 938 230 | info@geiger.de | www.geiger.de
Sitz Bietigheim-Bissingen | Amtsgericht Stuttgart HRA 300591 | USt-IdNr. DE145002146
Komplementär: Geiger Verwaltungs-GmbH | Sitz Bietigheim-Bissingen | Amtsgericht Stuttgart HRB 300481
Geschäftsführer: Roland Kraus | WEEE-Reg.-Nr. DE47902323

100W1578 en 0823

Current declarations of conformity are available under www.geiger.de

13. Notes on waste disposal

Recycling of packaging materials

In the interest of environmental protection, please contact your local government's recycling or solid waste management department to learn more about the services it provides.

Waste disposal of electric and electronic equipment

Electrical and electronic equipment must be collected and disposed of separately in accordance with EU regulations.

For technical questions, please call our service team at: **+49 (0) 7142 938 333**.
They will be happy to assist you.

GEIGER
ANTRIEBSTECHNIK

Gerhard Geiger GmbH & Co. KG
Schleifmühle 6 | D-74321 Bietigheim-Bissingen
T +49 (0) 7142 9380 | F +49 (0) 7142 938 230
info@geiger.de | www.geiger.de

